

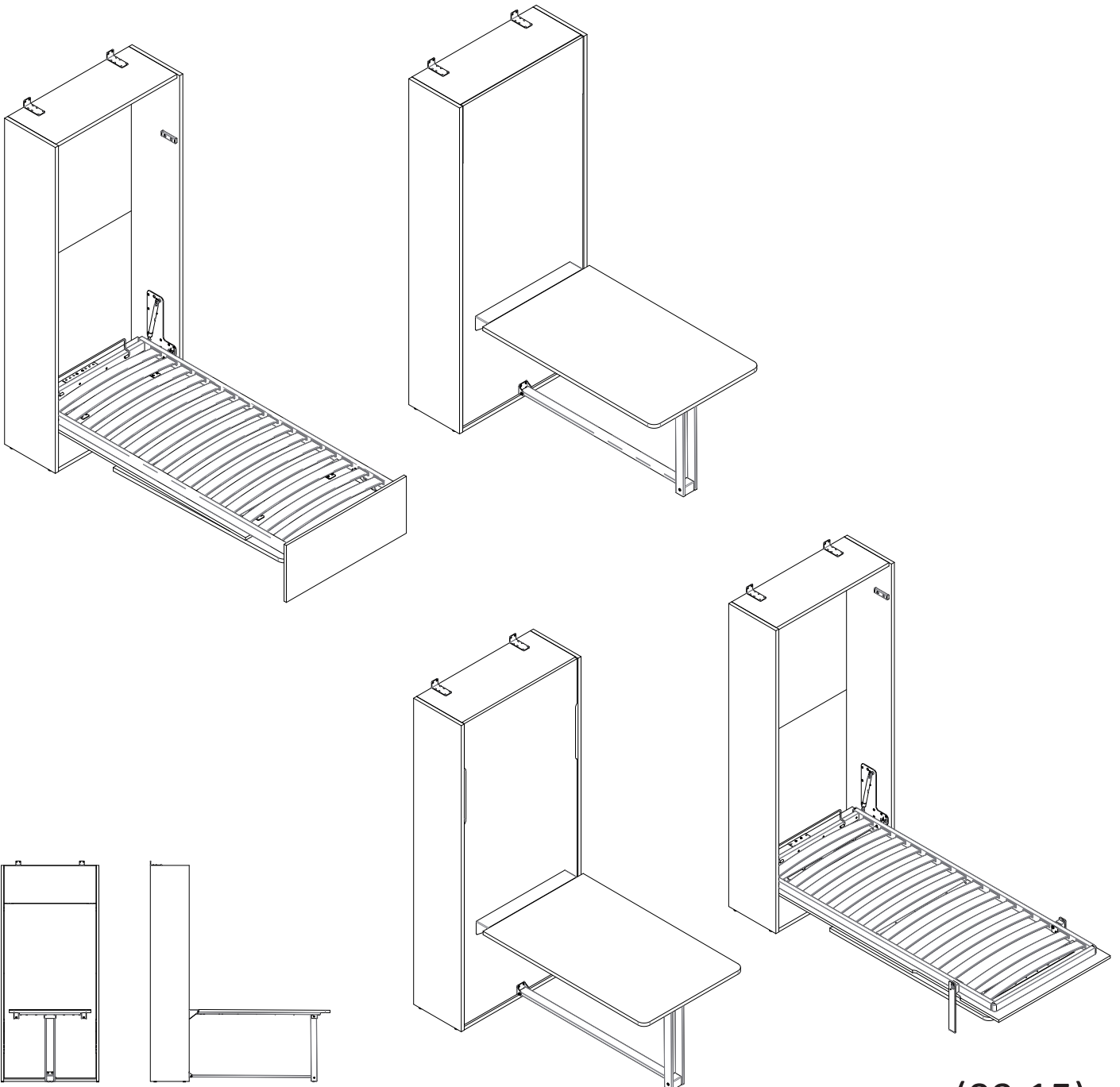


**transforms**  
SMART BEDS

PL/EN

# Mod. Tabla Alibed

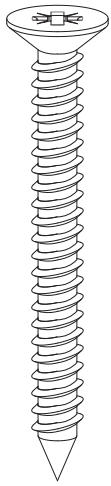
Instrukcja montażu stołu  
Table Assembly Instructions



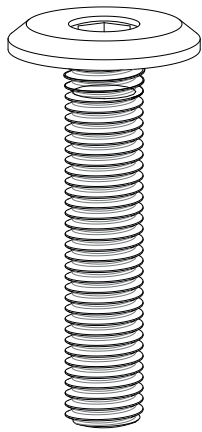
(09.15)

# Istrukcija Montažu

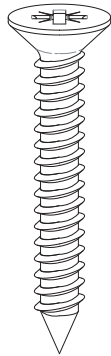
## Assembly Instructions



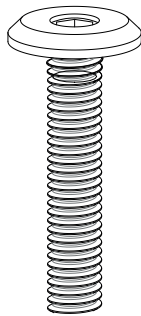
A x18  
M4x40



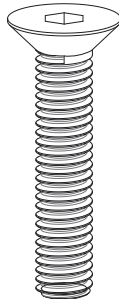
B x2  
M8x35



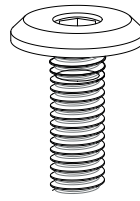
C x12  
M4x20



D x10  
M6x30



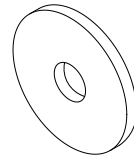
E x2  
M6x30



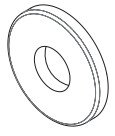
F x10  
M6x15



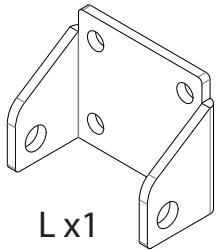
G x2  
M8



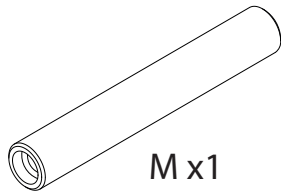
H x2



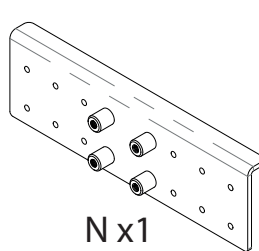
I x2  
Nylon



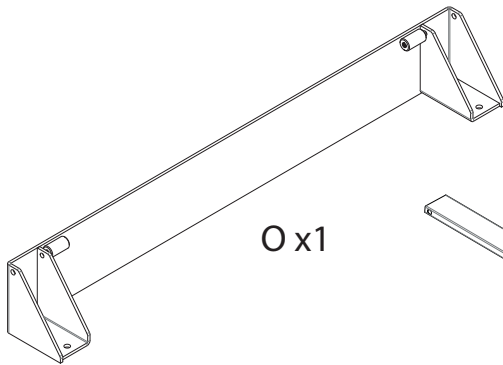
L x1



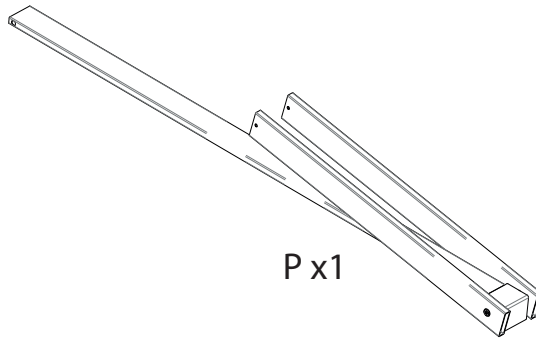
M x1



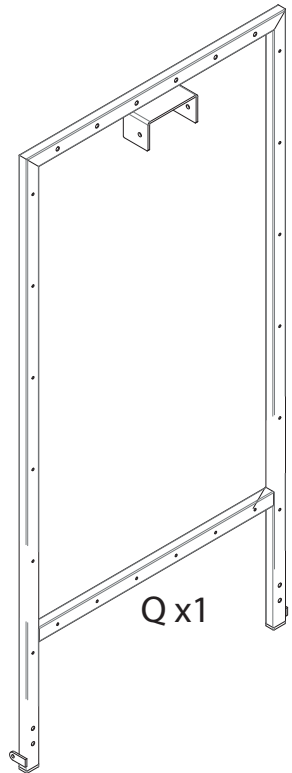
N x1



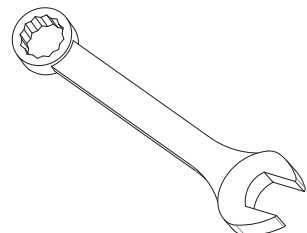
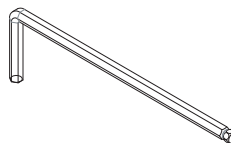
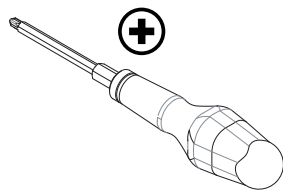
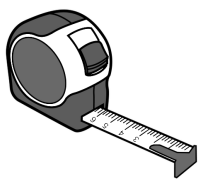
O x1



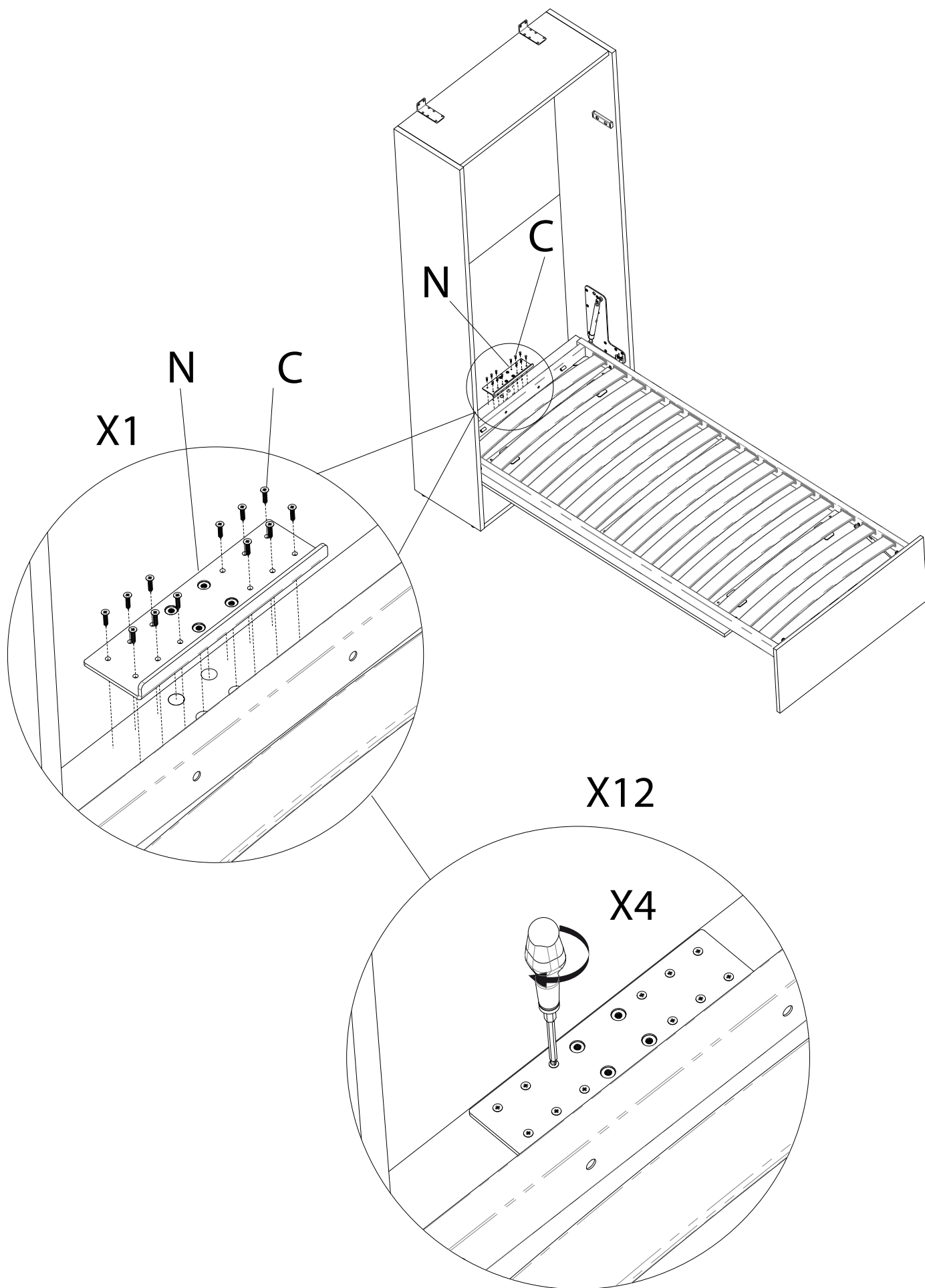
P x1



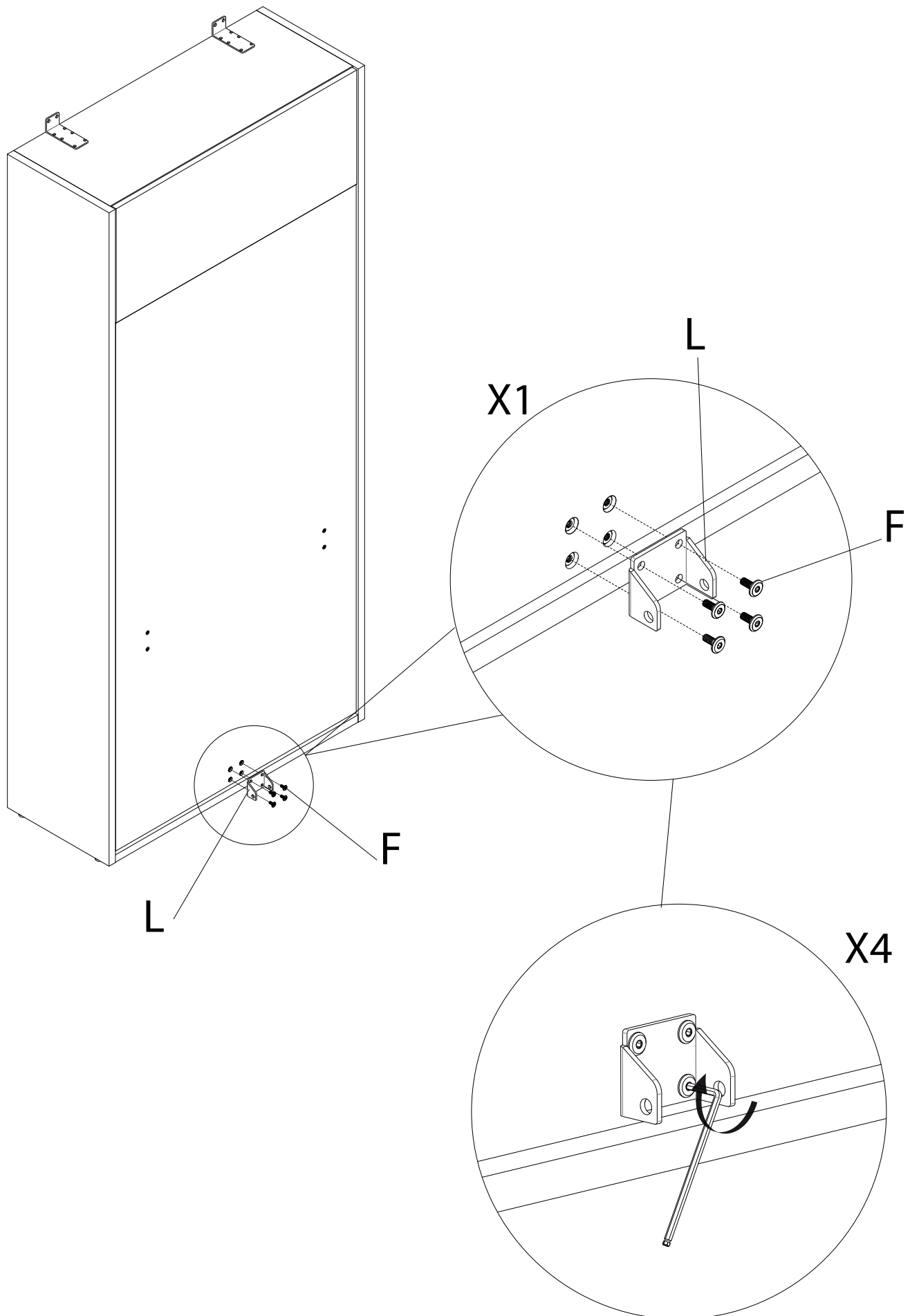
Q x1



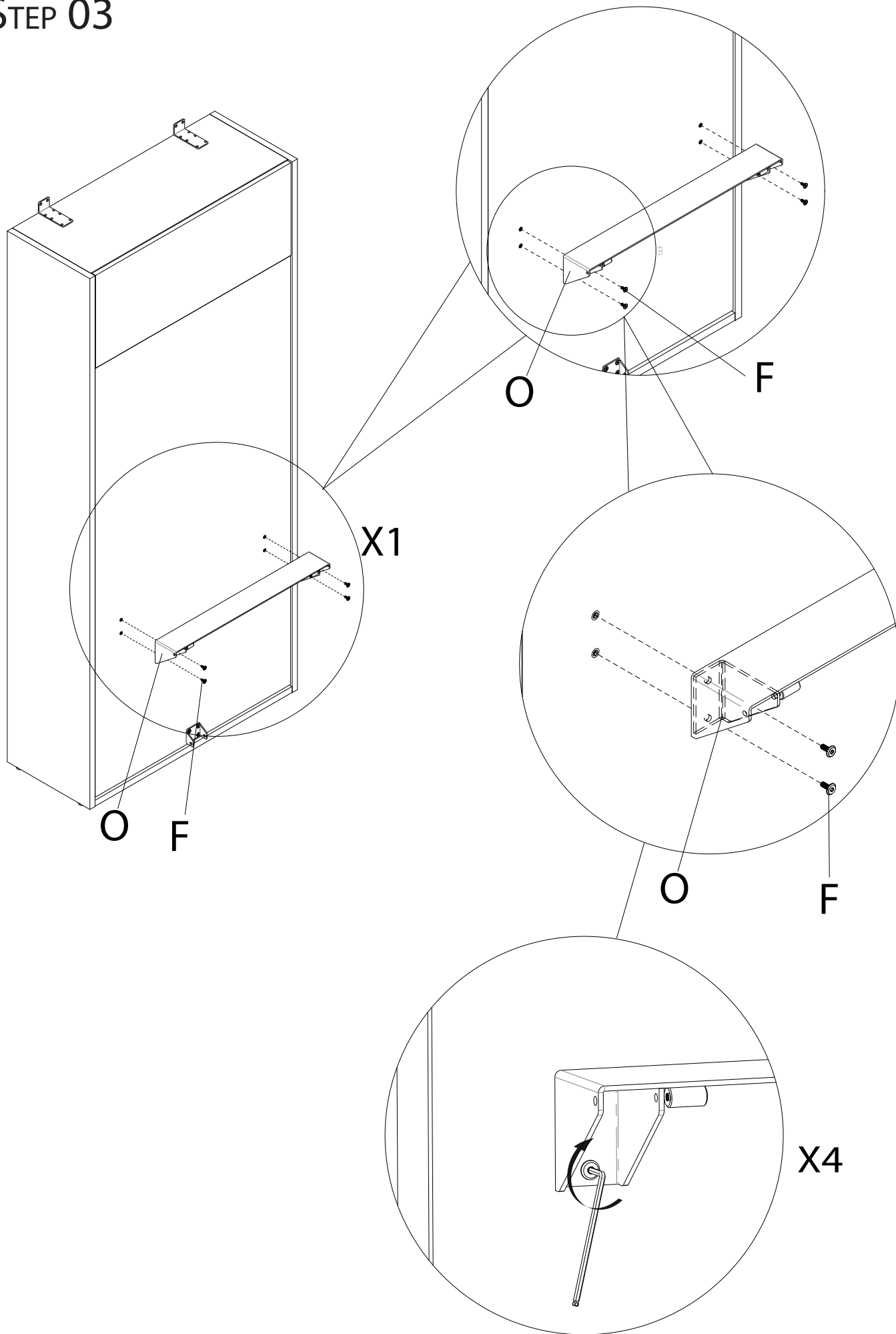
# STEP 01



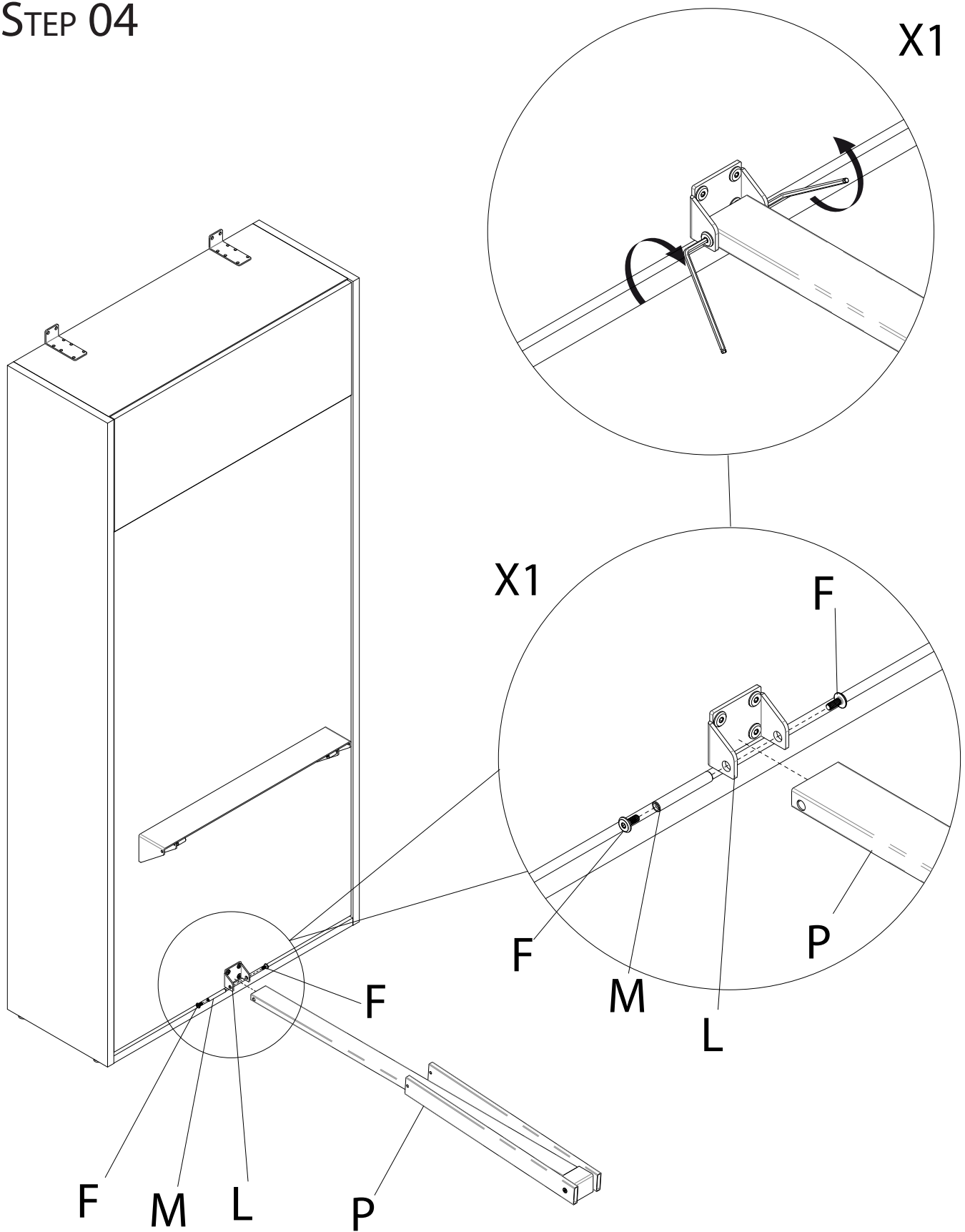
# STEP 02



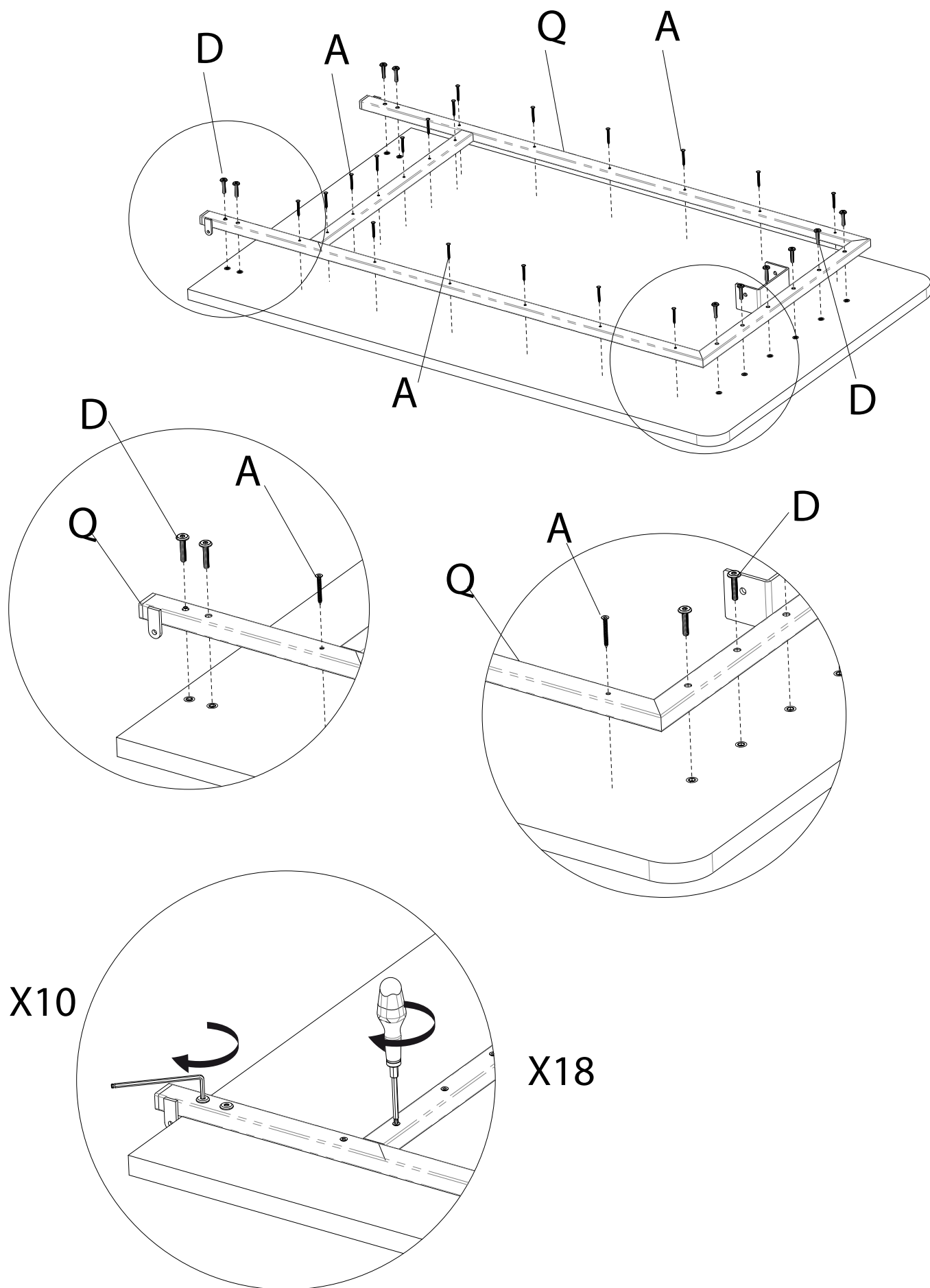
# STEP 03



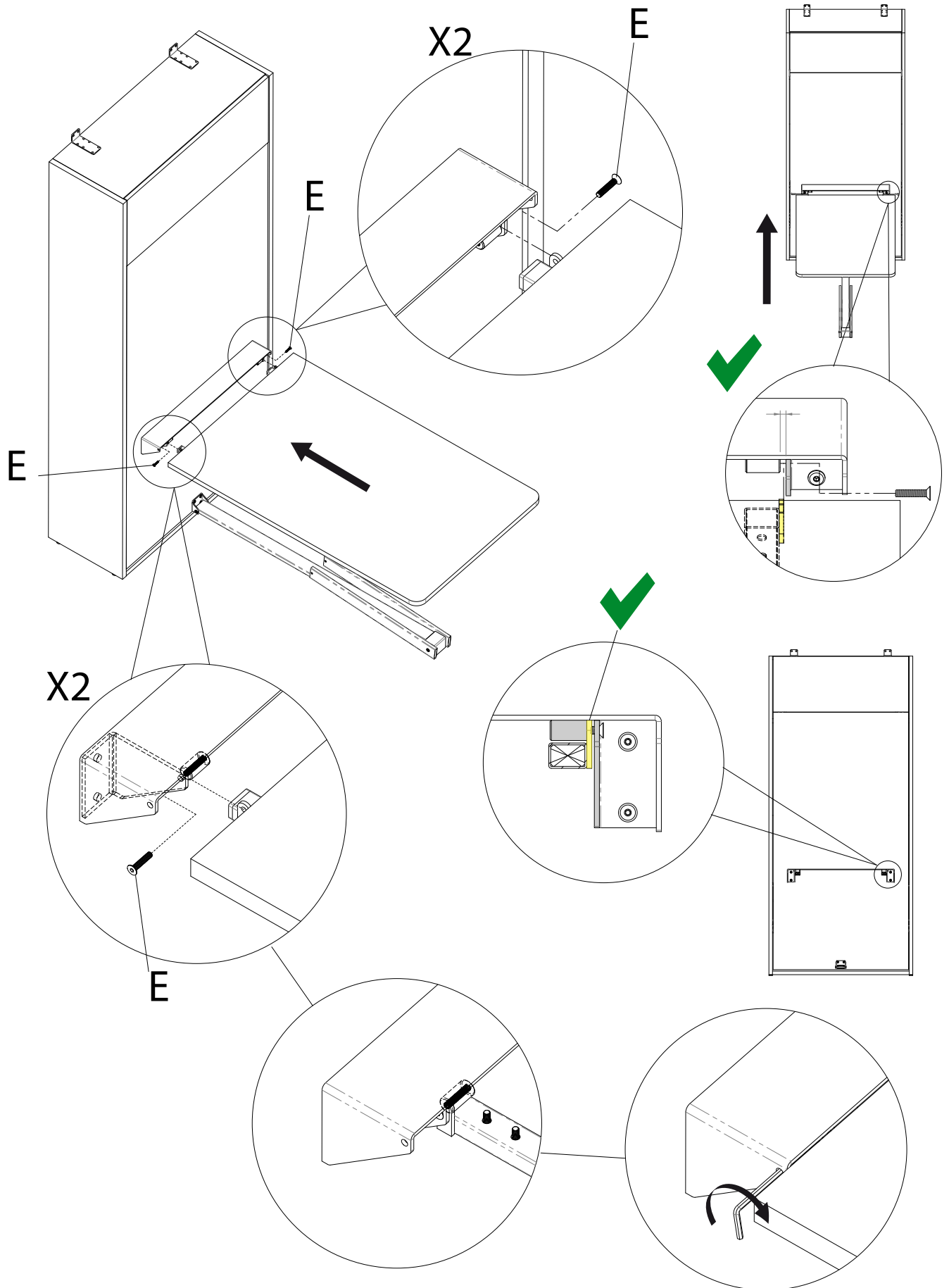
# STEP 04



# STEP 05



# STEP 06



# STEP 07

